

ready to serve

Hit the wall about where to put the wine?
With this neat rack, it will never be in the way

With Father's Day coming up, why not keep the bottles of red off the table and mount a wine rack on the wall? At about 690mm wide and 535mm high, this design is super compact, yet contains storage for six glasses and your choice of six bottles, plus a few more standing up on the wide serving shelf out front. With an A-frame structure perfectly suited for display on a wall, it makes an attractive talking point at your next party when you are pouring the good stuff, keeping your table free of clutter and full of fun.

Stained pine with a plywood back is all it takes to create this fancy rack, enough to hold six bottles and six glasses wherever you entertain.



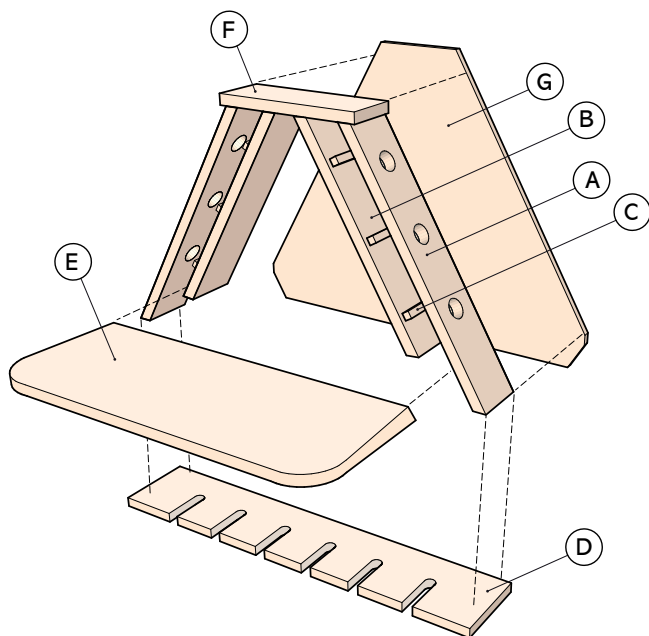
WINE RACK

Gather your supplies

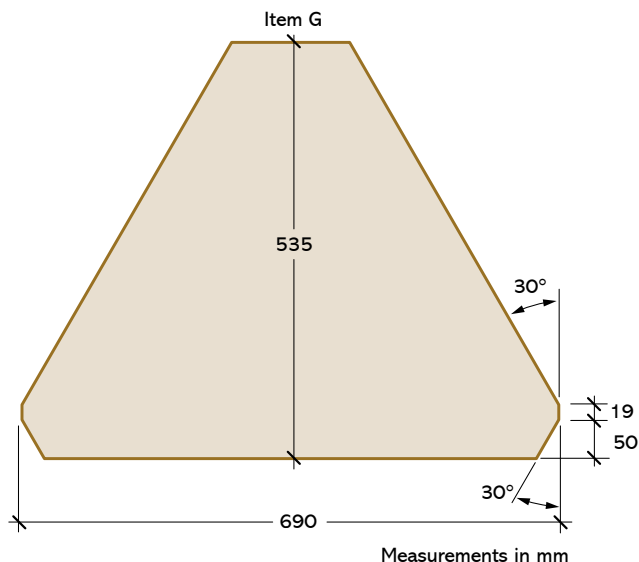
- A** Outer sides (2) 89 x 19 x 475mm pine
- B** Inner sides (2) 89 x 19 x 400mm pine
- C** Support blocks (6) 12 x 12 x 80mm pine
- D** Glass holder 140 x 19 x 730mm pine
- E** Wide shelf 235 x 19 x 592mm pine
- F** Top 89 x 19 x 250mm pine
- G** Back 535 x 690 x 12mm plywood

Note Where angles run in same direction on parts, measurements are long to short point.

Wine Rack Diagram



Detail Item G Diagram



steps



You'll also need

Mitre saw; drill and bits; tape measure; hammer; 50mm screws; PVA glue; jigsaw; sander; wood filler; Cabot's Stain Varnish (we used Marita Grey); screws; WallMates

Here's how

STEP 1 Cut outer and inner sides (A,B) to length with a 30° off-square cut at each end, all going in same direction. This is easiest to do with mitre saw.

STEP 2 From bottom of outer side, measure 160, 280 and 400mm up outside face. At these points, find centre between front and back. Drill 32mm holes, large enough to take neck of a wine bottle. To do this, drill through far enough for point of bit to come through other side, then turn over and drill back other way to limit amount of breakout of timber.

STEP 3 From top short end of inner side, mark 94, 214 and 334mm and square across sides. Glue and nail support blocks (C) with their underside on lines so they are flush with back. Make a left- and right-hand version.

STEP 4 On glass holder (D), measure 115mm from 1 end, then another 5 marks 100mm apart. Find centre of board at marks and drill 20mm holes, again drilling partly through and coming back other way.

STEP 5 Square line from front edge to sides of each hole, then switch to jigsaw and cut along lines to holes to form wineglass slots.

steps



STEP 6



STEP 11



STEP 7



STEP 12



STEP 8



STEP 13



STEP 9



STEP 14



STEP 10



STEP 15

This wine rack is just a few angles, a few holes and a handful of screws

STEP 6 Cut a 30° bevel at ends of wide shelf (E), this time angled in opposite directions.

Use a 1 litre paint tin to draw in a circle at front of wide shelf, and cut out with jigsaw, running out to edge of angled cuts at ends. Make sure you do not go further back than 89mm from back of shelf, as this needs to butt against sides of rack. Prepare back (G) using measurements in Detail Item G Diagram.

STEP 7 Sand all pieces to remove saw and drill marks and splinters, being careful not to round edges that are parts of joints. If you have one, sand wine bottle neck holes with a drum sanding attachment, or do it by hand.

STEP 8 Measure 40 and 110mm from each end of top (F) and square line across underside of top. Then mark 22mm back from each line to mark diagonal width of sides where they butt into top. Hold a side in place to get angle needed for screw holes and drill clearance holes from between lines upwards to top of top.

STEP 9 Apply glue between lines, then predrill at an angle and screw inner sides to top, making sure blocks are flush at back and are right way up.

STEP 10 Add outer sides in same way. Inner and outer sides should be parallel.

STEP 11 Stand wide shelf (E) on blocks and place A-frame on top. Make sure sides will be parallel by measuring 48mm in from sides and square a line across shelf where long point of inner side meets shelf. Mark inner face of inner side on shelf, then predrill between lines. Screw

shelf to inner sides, then through outer sides into ends of shelf.

STEP 12 Glue, centre and screw on glass holder shelf, predrilling first to make sure bottom does not slide along out of alignment as you screw at an angle.

STEP 13 Fill screw holes with wood filler, then sand smooth and paint rack and back with a stain and varnish (we used Cabot's Stain Varnish in Marita Grey; as it is a pale stain, increase number of coats in order to further grey timber).

STEP 14 When dry, predrill and screw back to wine rack. It is proud of top and bottom to allow you to screw rack to a wall.

STEP 15 Find a position for rack on your wall and find wall studs. Unit is wide enough to fit to 2 studs if possible. You can screw to 2 studs through bottom of back and use a WallMate at top for extra security.

STOCKISTS

Project supplies: Pine (various sizes); screws; WallMate anchors; Cabot's Stain and Varnish in Marita Grey, **Bunnings Warehouse, bunnings.com.au or stores nationally.** Power4All lithium-ion system 10.8V cordless tools: PSB 10,8 LI-2 drill, PST 10,8 LI multi-saw and PSM 10,8 LI sander, **Bosch Australia, 1300 307 044, bosch.com.au** All display items privately owned.